

Cone Viewer

Instructions for Use

The Cone Viewer is a convenient tool for coverage approximation during the installation process. For device fields of view, please refer to the device technical manual.

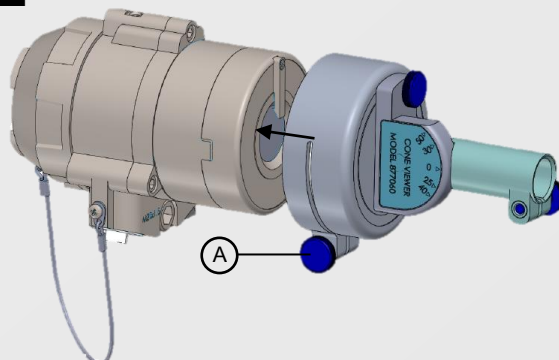
1



Remove the Cone Viewer from the box and select the appropriate adapter that fits your laser aimer.

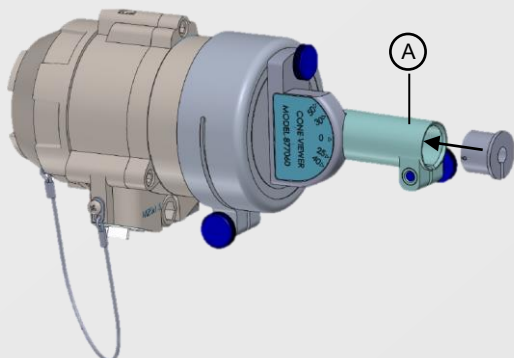
Note: the adapters provided suit laser aimers with a barrel diameter of 9 and 21mm

2



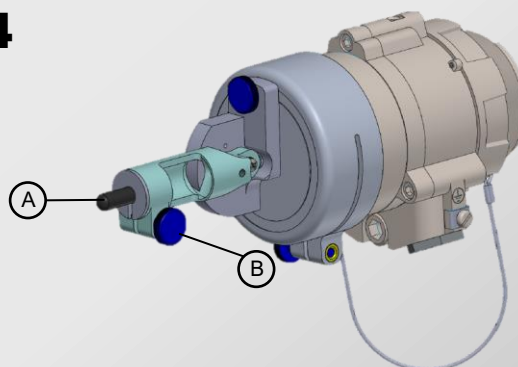
Loosen the holding screw (A), place the cone viewer on the detector and tighten the holding screw (A).

3



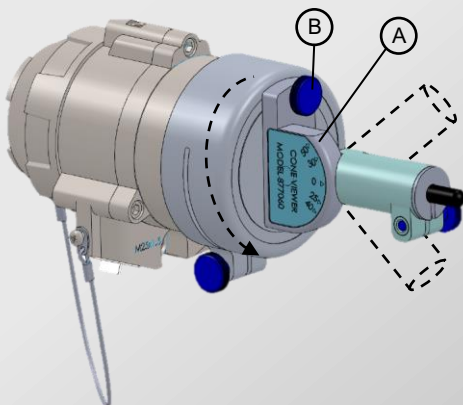
Place the appropriate laser adapter into the laser aimer holder (A).

4



Insert the laser into the laser adapter (A) and tighten the holding screw (B).

5



- 1) Check center direction and move the aimer holder into the required angle to view the coverage.
- 2) Rotate the holder plate (A) for the corresponding fields of view. Its position can be secured by tightening the fixing screw (B)